

Russell Taylors

SLOW JUICER SJ5

www.russelltaylors.co.uk

E-WARRANTY



SCAN HERE



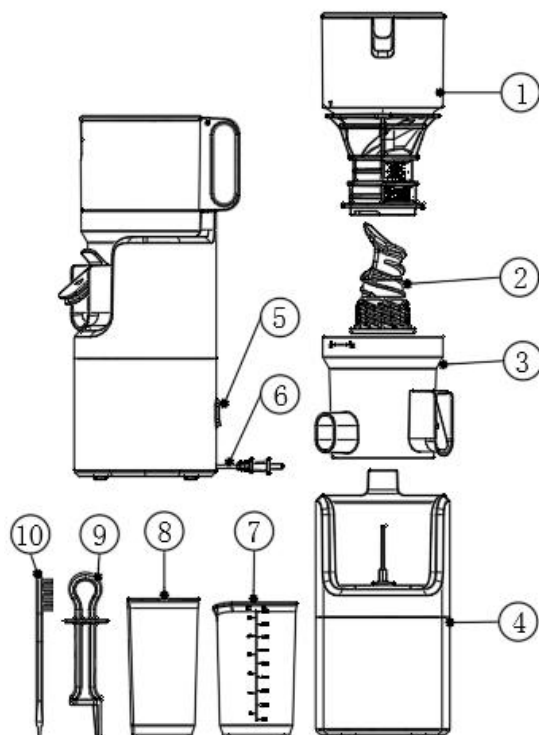
For warranty claims, please submit an email to hello.th@russelltaylors.com

together with your order number or a copy of your invoice.

Important Safeguards

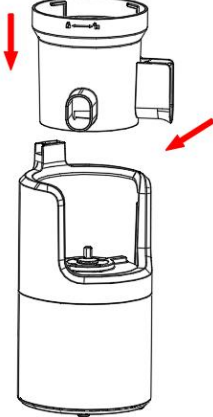
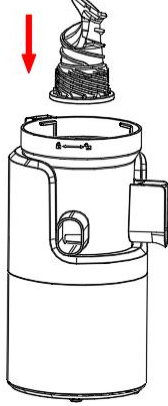
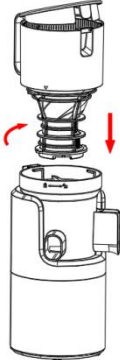
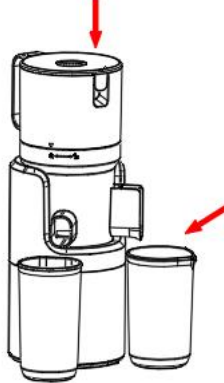
1. Make sure the electricity supply used is compatible with the product.
2. This product is only for household use. Any evidence of commercial use will result in a void of warranty.
3. Use the product as only described in this manual.
4. To prevent electrical shock, do not submerge the unit, cord and plug into water.
5. This product is not to be used by children and close supervision is required when the unit is used near them.
6. Ensure that the product is unplugged when not in use, assembling or disassembling, and before cleaning.
7. The continuous operation limit of this product is 15 minutes.
8. Do not overload the machine.
9. Do not use your finger, spoon or chopstick to push fruits and vegetables into the chute of the machine – only use accessories provided to handle
10. Do not open the unit while it is operating.
11. Do not place the unit near any explosives, heated ovens or hot surfaces.
12. Operate the product only on a flat surface.
13. Do not let the cords hang over the edge of the table.
14. Hold the plug to disconnect it from the power socket.
15. This product is not intended to be used by persons with weak physical conditions, slow reactions, mental disabilities or lack of experience unless they are under supervision or instruction. Children shall not play with the appliance. Cleaning and maintenance shall not be made by children without supervision.
16. Do not use the appliance if the rotating sieve or the protecting cover is damaged or has visible cracks.
17. Switch off the appliance and disconnect from supply before changing accessories or approaching parts that move in use.
18. If the supply cord is damaged, it must be replaced by the manufacturer, its service agent or similarly qualified persons in order to avoid a hazard

PRODUCT COMPONENTS



No	Name	Function
1	Juicing Jar (Top)	The main component of juice is the top of the feeding port, which is used to put ingredients in
2	Auger	The main components of squeezing juice.
3	Juicing Jar (Bottom)	The main component of juice.
4	Main Body	Key components such as main shell and motor provide power for juice extraction.
5	Switch	Forward, Off and Reverse
6	Power cord	Connect to the power supply.
7	Juice cup	Collect juice.
8	Pulp cup	Collect fruit residue.
9	Pusher	To slowly push ingredients
10	Cleaning brush	Brush the residue in the slag, clean the filter after juicing, etc.

INSTALLATION METHOD

	
<p>1. Assembly: Align juicing cup system with the machine and push down gently</p>	<p>2. Install auger: Align the outer flange of the auger at the groove of the bottom of the juice cup and press gently</p>
	
<p>3. Put the juicer lid: Open the lid, put the screw on the bottom hole of the juice cup lid, and point the "▼" symbol on the cup lid to the "☐" symbol on the juice cup; then gently lower the lid and turn the cup lid clockwise to the "▼" symbol on the juice cup lid to the "☐" symbol on the juice cup;</p>	<p>4. Packing juice cup and pulp cup: Align the juice cup at the juice outlet of the juice cup, and place the juice cup at the juice cup close to the main unit; and press and hold the cup lid under the cup.</p>

USING FOR THE FIRST TIME

Before first use of the product, thoroughly clean parts that come into contact with the ingredients;

Key operating instructions: (This product has a protective switch, and the product cannot work without a cover.)



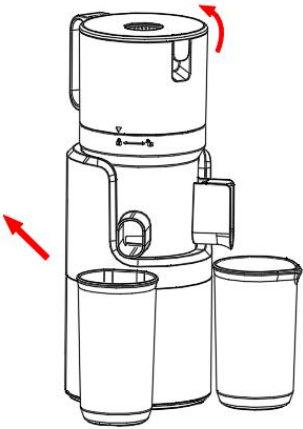
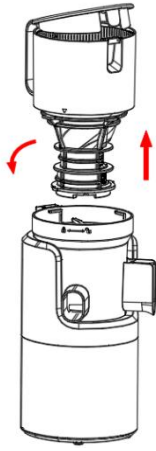


Press the switch "ON". If you need to stop halfway, press the switch to the "OFF" mark.

When the slag discharge is not smooth or blocked, press the switch to the "reverse" mark and the screw starts to reverse. Release the switch and stop the reversal.

NOTE: maximum continuous operation is 20 minutes. Please allow the motor to rest for at least 5 minutes before reuse

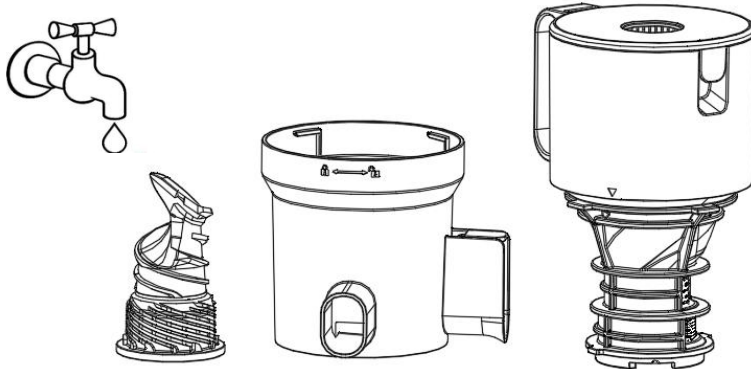
TYPES OF FRUITS/VEGETABLES YOU CAN BLEND		
Fruit/Vegetable	Yes/No	Notes
Leafy Vegetables	Yes	Cut into smaller pieces first
Ginger	Yes	Cut into smaller pieces first
Beetroot	Yes	Cut into smaller pieces first
Beans	Yes	Soak overnight first
Peanut	Yes	Soak overnight first
Almond	Yes	Soak overnight first
Nutmeg	Yes	Soak overnight first, remove seed
Sorbet / Ice Cream	Yes	Allow fruits to thaw for 5-10 minutes
Sugar Cane	No	Too hard, will damage machine
Large Seeds (mango, avocado)	No	Remove seeds before blending mangoes/avocados
Hard Shell (coconut)	No	Do not blend the coconut shell
Ice	No	Too hard, will damage machine
Coffee Beans	No	Too hard, will damage machine

DISASSEMBLY

	
<p>1. Remove the juice cup and pulp cup: First close the juice outlet leakage valve, then directly remove the juice cup and the pulp cup, and open the cup lid.</p>	<p>2. Remove the juicer lid: Rotate the lid of the juice cup counterclockwise, and aim the "▼" symbol on the lid to the "☐" symbol on the juice cup; then pull it out in the vertical direction;</p>
	
<p>3. Remove the auger: Just pull out the auger in the vertical direction; if it is difficult to pull out directly, shake it gently and then pull it out;</p>	<p>4. Remove the juicer: Pull out the juicer in the vertical direction.</p>

CLEANING & MAINTENANCE

The following components can be washed directly with the faucet;



ATTENTION:

PLEASE ENSURE THAT THE MACHINE IS CLEANED PROPERLY AFTER EACH USE
LEFTOVER RESIDUE OF FRUITS & PULP IN BETWEEN THE SEAMS AND/OR
ACCESSORIES WILL RESULT IN THE JAR/AUGER/CONNECTORS GETTING
STUCK

BEFORE USE

No	Things to note	Reasoning
1	No ice cubes	The ice is hard, which can easily cause damage to the juicer components
2	No dry goods and hard food	The ingredients are hard and not easily cut off by the screw, which can easily lead to damage to the juicer assembly;
3	Please cut the crude fiber ingredients to 5-10CM	Long fibrous materials will wrap around the auger and result in mechanical blockage – this will damage the motor
4	Fruits with hard core must be used after denucleation	Hard core can easily cause damage to the components;
5	It is prohibited to use items other than push rods to push ingredients	If you use other items to push ingredients, it may cause mechanical damage;
6	The machine should not work for too long, the time is ≤ 20 minutes	To prevent motor overheating
7	Please do not put the already squeezed pulp back into the juicer	Re-juicing of pomace can easily lead to poor slag from the machine;
8	Please do not put fruits soaked with wine, honey, sugar and other chemicals	This will damage the components of the machine
9	After the juice is squeezed, try to squeeze it and drink it as soon as possible.	Juices will oxidize very quickly after being squeezed, and should not be stored for a long time;
10	During the juice squeezing process, the machine has a friction sound; It is a normal phenomenon	This is the auger processing the fruits
11	During the juice pressing process, the juice cup is slightly deformed; it is a normal phenomenon	During the juice squeezing process, due to the large fruits and vegetables, the juice cup will deform and return to normal after shutdown, which will not affect use

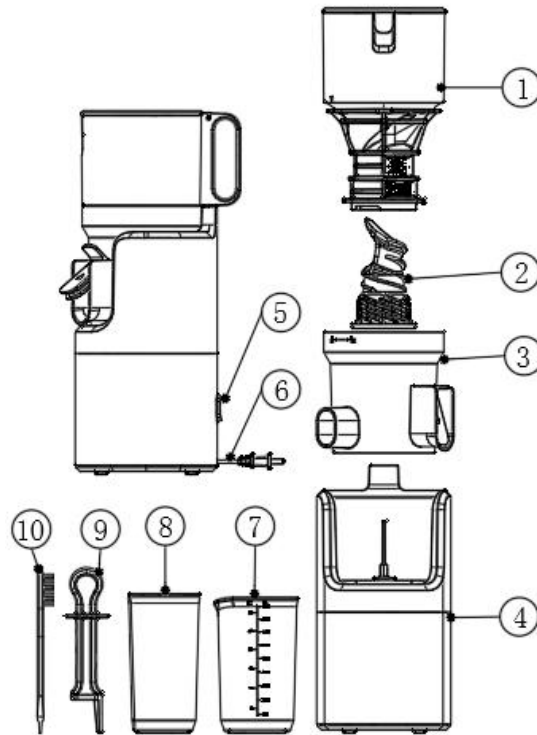
TROUBLESHOOTING

Issue	Possible Causes	Recommended Solutions
The juicer stops running.	Too many ingredients inside the juicer	Switch to "R" position to make the ingredients return upwards. If the machine still stops running, clean the machine before using again.
	Hard fruits or vegetables not cut into small pieces	Hard fruits and vegetables (such as carrots) must be cut into strips or small cubes before putting into the chute.
Leaking	Bowl and silicone valve are not installed properly.	Re-install the bowl silicone valve by referring to the installation method.
Abnormal Noise	Parts causing abnormal sounds during squeezing.	The sound is caused by the extrusion of fruits which is normal.
Chute & strainer assembly cannot be opened.	There is too much pulp inside the bowl	Press the "R" setting to eject the pulp backward.
	There is hard food stuck inside	Press the "R" setting to eject the food backward.
	The pulp is stuck	Pour water into the chute to soften the pulp overnight.
The container & accessories are dyed after use.	Dyed parts are due to natural color of fruits and vegetables.	This is a natural occurrence and cannot be avoided.
Unable to power on	Safety lock mechanism	Please ensure the jar is locked onto the machine
Unable to remove jar	Fibers/pulp caught in seams	Add water, close drip cover, allow water to soak. Turn on motor and allow to run for 5 minutes Press reverse for 1 minute Push jar downwards and turn counterclockwise

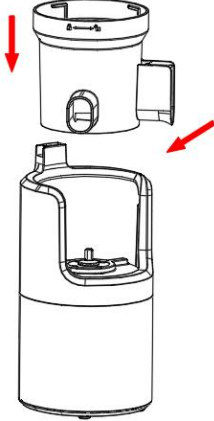

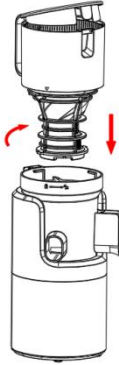
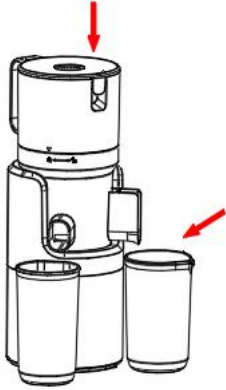
Russell Taylors



PRODUCT COMPONENTS



No	Name
1	()
2	
3	()
4	
5	/
6	
7	
8	
9	
10	

	
<p>1. :</p>	<p>2. :</p>
	
<p>3. :</p> <p>"▼"</p> <p>" "</p> <p>"▼"</p> <p>" "</p>	<p>4. :</p>

:(

)



" "

" "

"

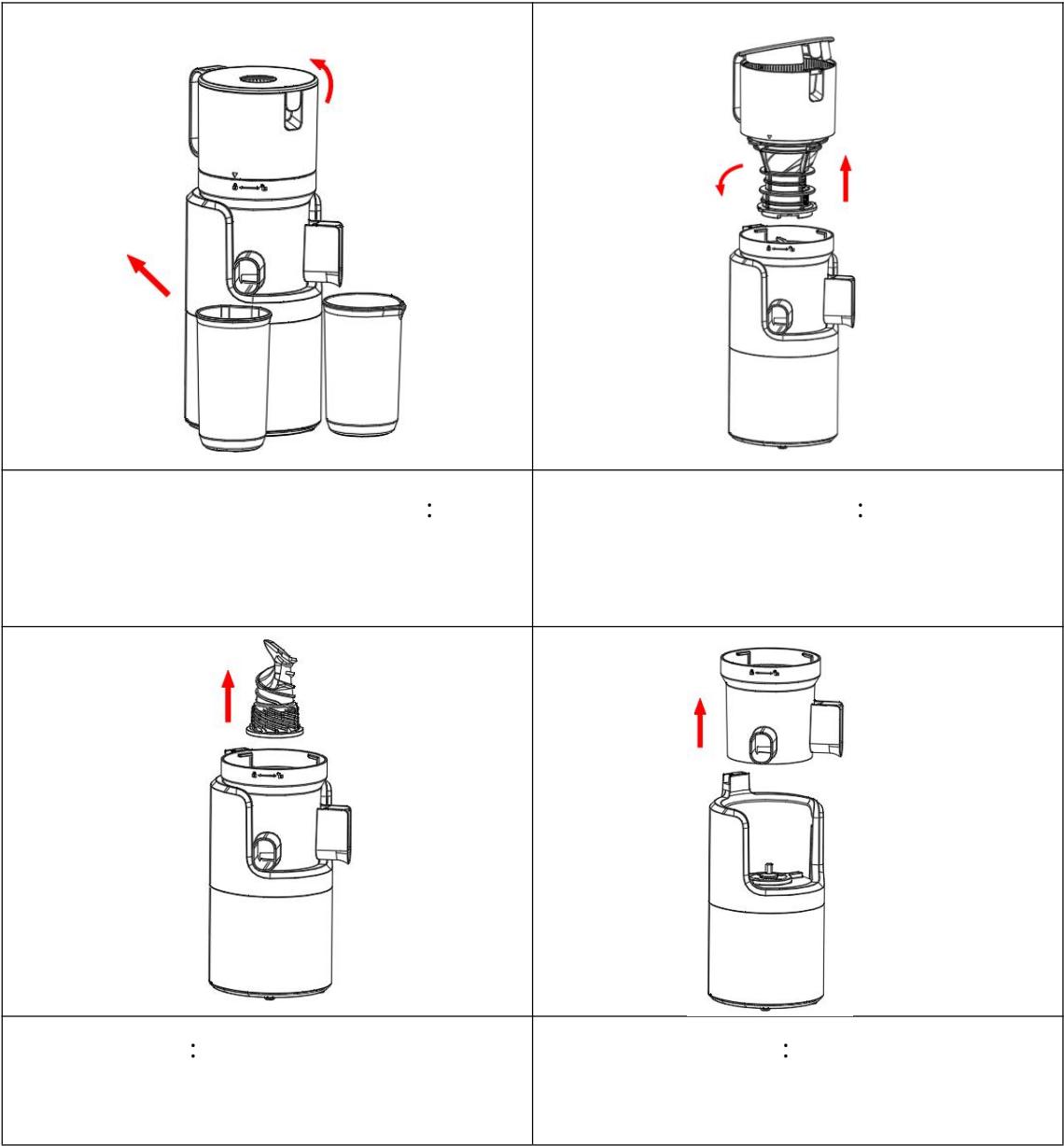
:

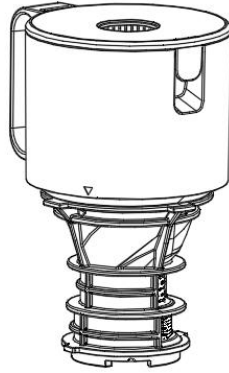
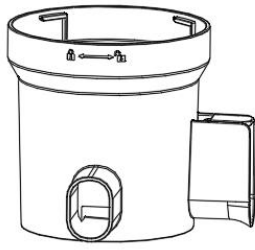
20

5

/		
/	/	
/		5-10
()		/

()		





20	
5-10 . 3x3 .	
/	/ /

		"R"
		()
		"R"
		"R"

	/	5 1